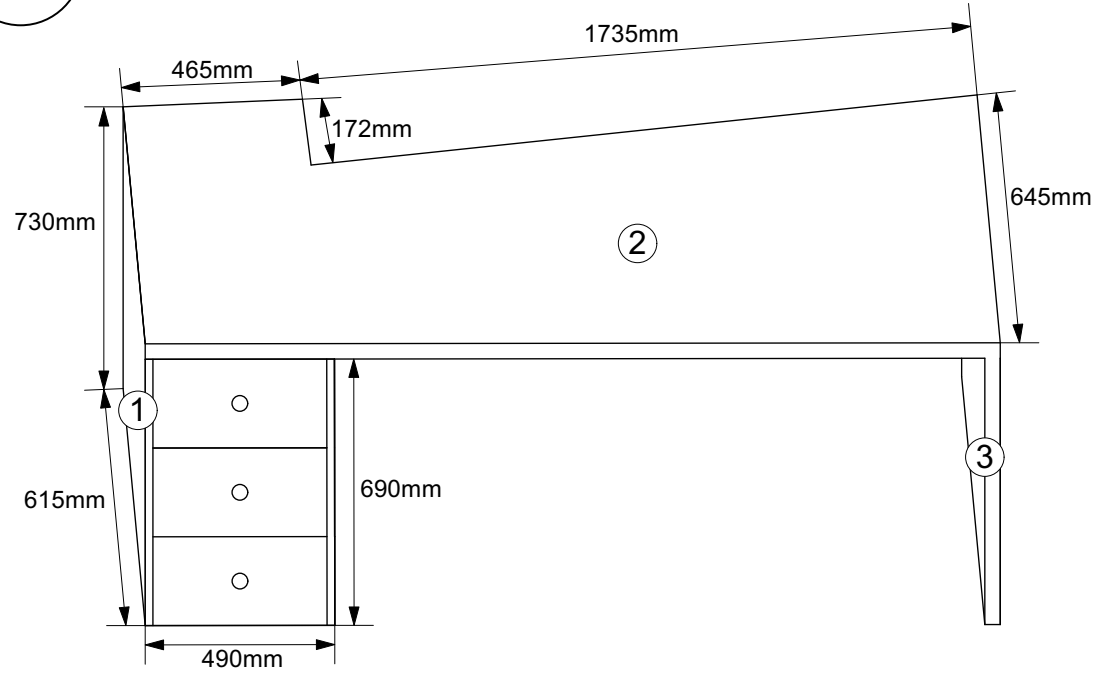
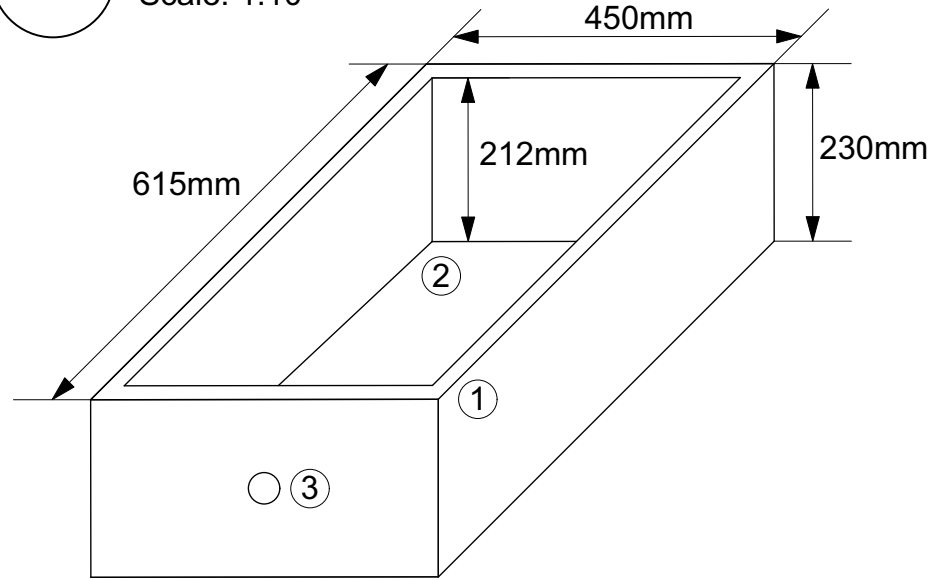


**1 Desk**  
Scale: 1:20



**2 Desk Drawer**  
Scale: 1:10



**1**

- 1- The left side of desk and right side of the drawers will be constructed using 19mm plywood bonded to eggers tobacco pacific walnut (H3702 ST10) laminate.
- 2- The desk top will be constructed using 40mm plywood bonded to eggers tobacco pacific walnut (H3702 ST10) laminate.
- 3- The right side of the desk will be constructed the same as the desk top.

**2**

- 1- The sides of the drawers will be constructed using 12mm plywood bonded to eggers tobacco pacific walnut (H3702 ST10) laminate.
- 2- The bottom of the drawers will be constructed using 6mm plywood.
- 3- The drawer knob will be brass or gold in colour and antique

Title:	Bespoke desk for suite
Date:	29/4/2022
Drawing No:	3
Drawn By:	Elinor Evans